

# PHOS 45 DOWNLIGHT – SPECIFICATIONS



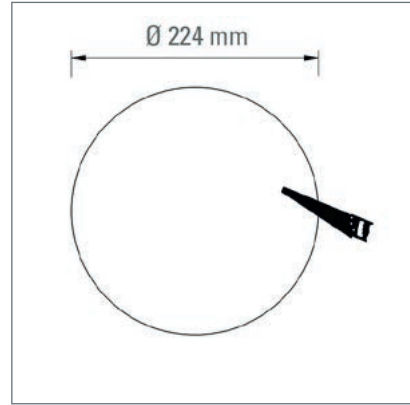
|   |   |
|---|---|
| item:   | PHOS 45 downlight                                     |
| body:   | steel / aluminium                                     |
| weight:   | 3.80 kg   |
| ballast:  | external ballast included                             |
| environmental conditions:                                       | for dry indoor environments only                      |
| ambient temperature:  | -30° C – + 35° C                                      |
| cooling:  | active cooling, fan                                   |
| noise level:  | 14 dBA  |
| light source:   | 40 W High Power LED                                   |
| recommended projection distance in normal room light:           | 13 ft   |
| recommended projection distance in darkness:                    | 33 ft   |
| average lifetime of the LED (L70):                              | 35,000 hours  |
| colour temperature:   | 6,300 - 6,700 K                                       |
| luminous flux of the LED:                                       | 2,700 lumens  |
| gobo size / image size:   | Ø 50 mm / Ø 40 mm                                     |
| input voltage:  | 220 - 240 V AC, 50 / 60 Hz                            |
| power consumption:  | 43 W  |
| efficiency:   | 0.85 cos. φ   |
| electrical protection:  | I   |
| ingress protection rating:                                      | IP 20   |
| photobiological safety according to ICE62471:2006 EN62471:2008: | RG-2  |
| item number:  | 20045110 – white, 20045120 – black, 20045130 – silver |

The 40 Watt High-Power LED of PHOS 45 downlight is sufficiently cooled by a noise-optimized fan and provides extra power. The device is suitable for dry indoor environments and can be unobtrusively installed in false ceilings. Despite its compact design, the projector delivers superior brightness: The recommended projection distance in normal room lighting is 13 feet, in darkness up to 33 feet. PHOS 45 downlight is recommended for environments like salesrooms, service halls, trade fairs and museums. The included electronic ballast is placed in the false ceiling. The projection motif (gobo) can be changed without tools.

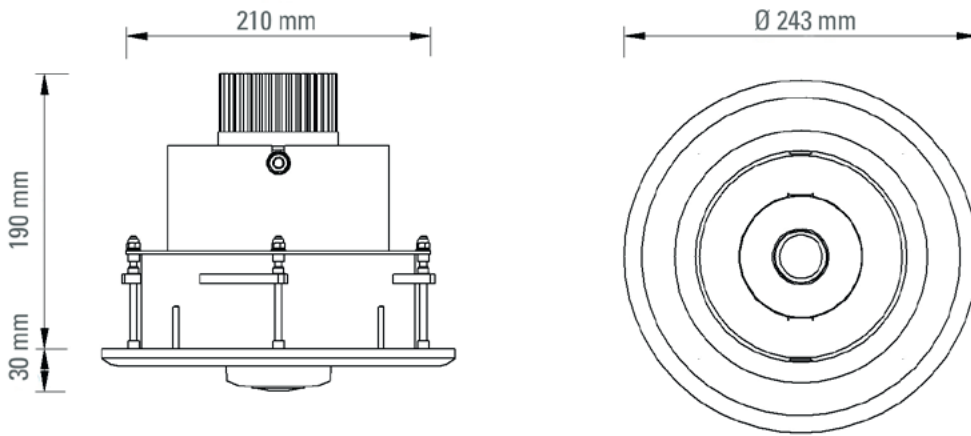
## Components

Standard series with high power LED and 85 mm standard lens. Required accessories: glass gobo with individually designed motif.



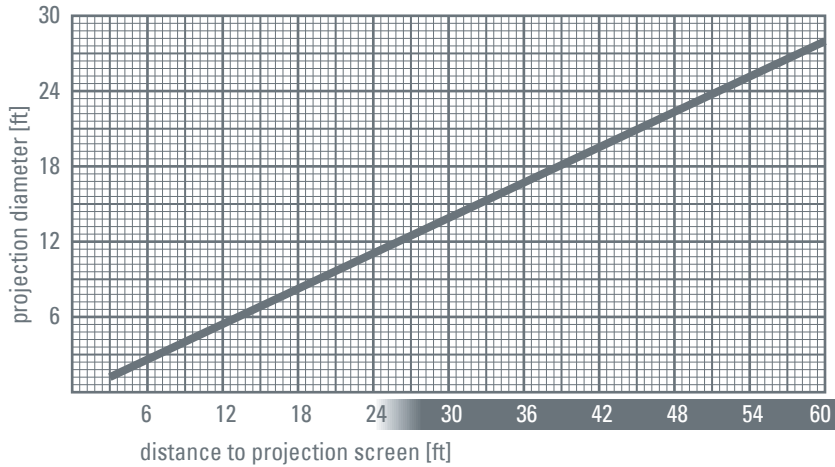


## Dimensions



## Projection Size

Standard Lens,  $f = 85 \text{ mm}$



**derksen**<sup>®</sup>  
lichttechnik

Derksen Lichttechnik GmbH  
Sauerlandstraße 5  
45889 Gelsenkirchen  
Germany

Tel.: +49 (0)209 / 9 80 70 0  
Fax: +49 (0)209 / 9 80 70 60

info@derksen.de  
www.derksen.de