

# PHOS 25 – SPECIFICATIONS



item:	PHOS 25
body:	steel / aluminium
weight:	2.95 kg
on / off switch:	on the rear side of the device
environmental conditions:	for dry indoor environments only
ambient temperature:	-30° C – + 35° C
cooling:	active cooling, fan
noise level:	13 dBA
light source:	22 W High Power LED
recommended projection distance in normal room light:	10 ft
recommended projection distance in darkness:	26 ft
average lifetime of the LED (L70):	35,000 hours
colour temperature:	6,300 - 6,700 K
luminous flux of the LED:	1,800 lumens
gobo size / image size:	Ø 50 mm / Ø 40 mm
input voltage:	220 - 240 V AC, 50 / 60 Hz
power consumption:	25 W
efficiency:	0.6 cos. φ
electrical protection:	I
ingress protection rating:	IP 20
photobiological safety according to ICE62471:2006 EN62471:2008:	RG-2
item number:	20025110 – white, 20025120 – black, 20025130 – silver

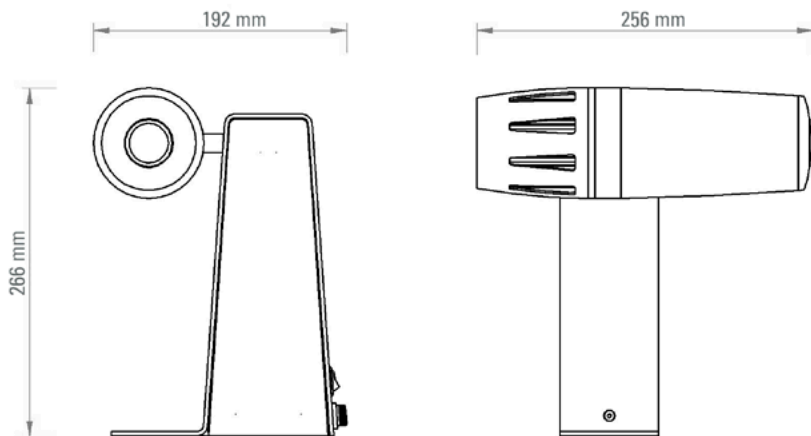
PHOS 25 is equipped with the latest LED technology and is sufficiently cooled in any environment by its integrated fan. This budget-priced entry level model is suitable for dry indoor environments and can optionally be mounted on tabletops, shelves, ceilings or walls. For its 22 watts High-Power LED we recommend a projection distance of 10 feet in normal room lighting. The projector is perfect for applications in small shops, doctors' offices and chemist's shops, where an operation with low heat emission is essential. The projection motif (gobo) can be changed without tools.

## Components

Standard series with high power LED and 85 mm standard lens. The machine is ready to plug in and run. Required accessories: glass gobo with individually designed motif.

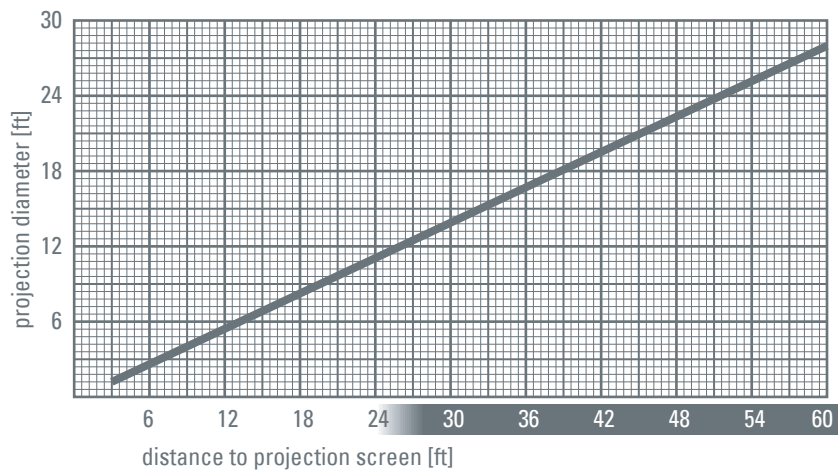


## Dimensions



## Projection Size

Standard Lens,  $f = 85 \text{ mm}$



derksen®  
lichttechnik

Derksen Lichttechnik GmbH  
Sauerlandstraße 5  
45889 Gelsenkirchen  
Germany

Tel.: +49 (0)209 / 9 80 70 0  
Fax: +49 (0)209 / 9 80 70 60

info@derksen.de  
www.derksen.de