

PHOS 85 DOWNLIGHT – SPECIFICATIONS



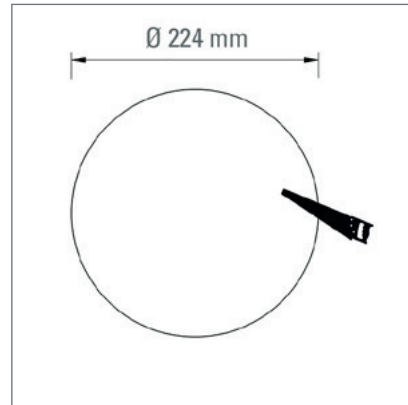
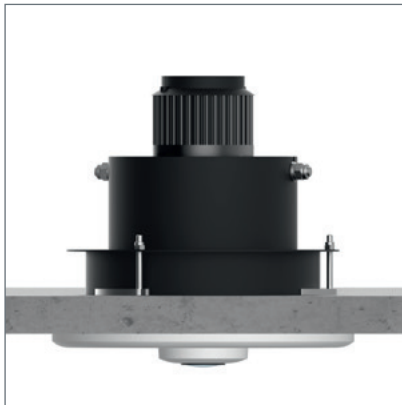
item:	PHOS 85 downlight
body:	steel / aluminium
weight:	3.90 kg
ballast:	external ballast included
environmental conditions:	for dry indoor environments only
ambient temperature:	-30° C – + 35° C
cooling:	active cooling, fan
noise level:	16 dBA
light source:	80 W High Power LED
recommended projection distance in normal room light:	26 ft
recommended projection distance in darkness:	65 ft
average lifetime of the LED (L70):	25,000 hours
colour temperature:	6,300 - 6,700 K
luminous flux of the LED:	5,750 lumens
gobo size / image size:	Ø 50 mm / Ø 40 mm
input voltage:	220 - 240 V AC, 50 / 60 Hz
power consumption:	92 W
efficiency:	0.9 cos. φ
electrical protection:	I
ingress protection rating:	IP 20
photobiological safety according to ICE62471:2006 EN62471:2008:	RG-2
item number:	20085110 – white, 20085120 – black, 20085130 – silver

PHOS 85 downlight is the most powerful top model and its 80 watts High-Power LED provides uncompromised brightness, which guarantees a brilliant and crisp projection in almost any situation. It is the optimal solution, when the ambient light is brighter, when projecting on coloured or dark surfaces or when colourful artworks are to be displayed. The device is equipped with a noise-optimized fan which dissipates the heat of the heat sink. PHOS 85 downlight is suitable for dry interiors and can be unobtrusively installed in false ceilings. The maximum projection distance is 26 feet in normal room lighting and 65 feet in darkness. Recommended locations include: museums, trade fairs, shopping malls or large lobbies. The included electronic ballast is placed in the false ceiling. The projection motif (gobo) can be changed without tools.

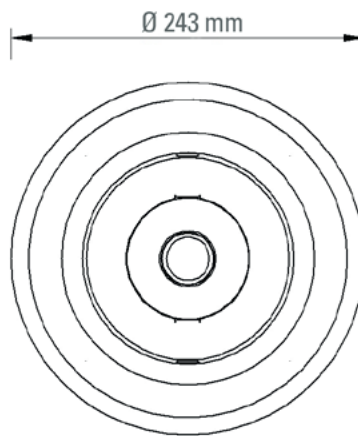
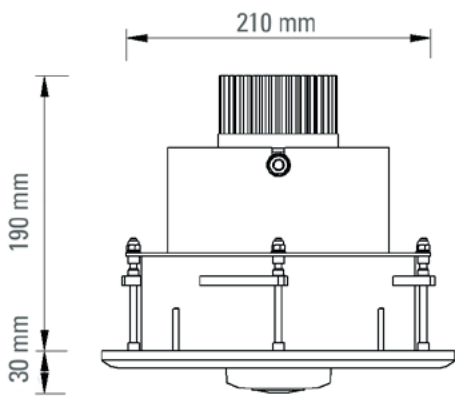
Components

Standard series with high power LED and 85 mm standard lens. Required accessories: glass gobo with individually designed motif.



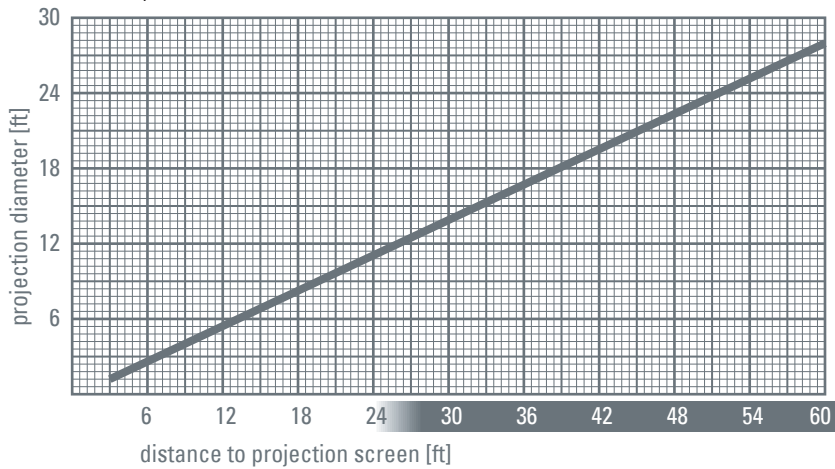


Dimensions



Projection Size

Standard Lens, $f = 85 \text{ mm}$



derksen[®]
lichttechnik

Derksen Lichttechnik GmbH
Sauerlandstraße 5
45889 Gelsenkirchen
Germany

Tel.: +49 (0)209 / 9 80 70 0
Fax: +49 (0)209 / 9 80 70 60

info@derksen.de
www.derksen.de